

Holiday House Distributing is the Largest
Distributor In North America of

EVERPURE®

Office Water, Office Coffee Service
and Vending Products **2012**

*We Honor Most Free
Goods and Discount
Promotions*

All Products In Stock!

All items stocked in FL. Limited selection stocked in Los Angeles, CA. and Canada



Mini Water Chiller
EV9318-20



NEW for 2012!

- Water Pressure Reducer Valves - pg. 13
- 2DC & 4DC Cartridges - pg. 6
- RO2500 RO System - pg. 12

EVERPURE
SMART OFFICE WATER

Contact your Everpure Representative for more information on the following programs:

Smart Office Water®

ECTS
Login to Everpure's
On-Line Cartridge
Tracking System

Everpure Cartridge
Tracking System (ECTS)

Everpure Water Auth2ority
Training and Certification
Program

Everpure Auth₂ority™ Dealers

Five-Year Warranty on Most Systems

We Honor Most Free Goods and Discount Promotions

EVERPURE
AUTHORITY

Everpure®, Micro-Pure®, Costguard®, Exubera®, Smart Office Water®, Virupure®, Hella®, Polaria®, Solaria™, and the silver canister color of the filter cartridges are registered trademarks in the U.S. (and other select countries) of Pentair Filtration Solutions, LLC. Auth2ority™, Claris™, ScaleKleen™ are trademarks of Pentair Filtration Solutions, LLC. SmartworksSM is a service mark of Pentair Filtration Solutions, LLC. AgION® is a registered trademark of AgION Technologies, Inc., Wakefield MA, USA. ScaleStick® and Hydroblend™ are used pursuant to an agreement with PWC Enterprises, Inc. Cuno® is a trademark of 3M Company.

800-443-4318

Fax: 800-863-7041 www.HHDonline.com
Email: info@HHDonline.com

Filtration Guide

Office Coffee, Office Water & Vending Products

Filtration Guide	2-3	Office Coffee Cartridges	9	Claris™	14
Water Appliances	4-5	Vending Cartridges	10	Special Purpose Products	15-16
Faucets	5	Filter Heads	11	Costguard Filtration	17
Drinking Water Systems, Replacement Filter Cartridges	6-7	Reverse Osmosis	12-13	Shur-Flo	18-19
OCS Water In-Line Filters	8	Water Pressure Reducer Valves (WPRV)	13	NEW Multi-Head Systems	20

NSF International, The Public Health and Safety Company™, a not-for-profit, non-governmental organization, is the world leader in standards development, product certification, education, and risk-management for public health and safety.

NSF has developed key standards for the evaluation and certification of drinking water treatment units, and many Everpure filtration systems have been certified to

those standards. Whenever possible, make sure your filters carry a "Tested and Certified by NSF" mark.



NSF STANDARD 42

Covers specific aesthetic or non-health-related contaminants such as chlorine taste & odor, and particulates that may be present in drinking water.

NSF STANDARD 53

Covers specific health-related contaminants such as *Cryptosporidium* and *Giardia* cysts, lead, asbestos and volatile organic chemicals (VOCs) that may be present in drinking water.

NSFP231

Microbiological water purifiers based on the recommendations set forth in the USEPA Guide Standard and Protocol for Microbiological Water Purifiers.

This chart presents a range of Everpure's water solutions for office coffee, office water and vending applications. By comparing basic performance features, you can make an informed decision about which filtration system is right for you.

Part Number	Model	Chlorine Taste & Odor Reduction	Scale Inhibition	KDF® Scale Inhibition*	KDF® Slime Inhibition*	Particulate Reduction*	Submicron Turbidity Reduction	Asbestos Reduction	Lead Reduction	Cyst Reduction	Bacteriostatic Control*	Bacteria Reduction	Virus Reduction	Capacity (gallons)	NSF Certification
EV910066	IN-6 CG-S	✓	✓											700	
EV910067	IN-6 PG-S		✓											6 months	
EV910008	IN-10	✓	✓											2,400	
EV910007	IN-12	✓	✓											4,800	
EV910068	IN-10 CK	✓		✓	✓						✓			5,000	
EV961836	2CB-GW	✓	✓			✓								3,000	
EV961705	2CB5	✓				✓								3,000	
EV961722	2CB5-S	✓	✓			✓								3,000	
EV961706	2CB5-K	✓		✓	✓	✓					✓			3,000	
EV961716	4CB5	✓				✓								6,000	
EV961726	4CB5-S	✓	✓			✓								6,000	
EV961736	4CB5-K	✓		✓	✓	✓					✓			6,000	
EV960112	AC	✓				✓	✓	✓		✓				750	
EV961807	OCS²	✓	✓			✓	✓	✓		✓	✓			1,500	
EV960100	4C	✓				✓	✓			✓				3,000	

*As tested by Everpure

Filtration Guide

Office Coffee, Office Water & Vending Products

Part Number	Model	Chlorine Taste & Odor Reduction	Scale Inhibition	KDF® Scale Inhibition*	KDF® Slime Inhibition*	Particulate Reduction*	Submicron Turbidity Reduction	Asbestos Reduction	Lead Reduction	Cyst Reduction	Bacteriostatic Control*	Bacteria Reduction	Virus Reduction	NSF Chloramine Reduction	Capacity (gallons)	NSF Certification
EV961100	4H	✓	✓			✓	✓			✓					3,000	NSF 42 NSF 53
EV961251	BH²	✓	✓			✓	✓			✓	✓				3,000	NSF 42 NSF 53
EV963406	OW2-Plus	✓		✓	✓	✓	✓	✓	✓	✓	✓				1,000	NSF 42 NSF 53
EV963506	OW4-Plus	✓		✓	✓	✓	✓		✓	✓	✓				2,000	NSF 42 NSF 53
EV961906	OW200L	✓	✓			✓	✓	✓	✓	✓					480	NSF 42 NSF 53
EV963701	MicroGuard Pro 2	✓				✓		✓		✓		✓			2,200	
EV963702	MicroGuard Pro 4	✓				✓		✓		✓		✓			3,600	
EV961266	2K-Plus	✓		✓	✓	✓	✓	✓		✓	✓				1,500	NSF 42 NSF 53
EV961276	4K-Plus	✓		✓	✓	✓	✓			✓	✓				3,000	NSF 42 NSF 53
EV972006	S-54	✓				✓			✓	✓					750	NSF 42 NSF 53
EV961346	S-104	✓				✓			✓	✓					1,000	NSF 42 NSF 53
EV979826	ViruPure®	✓				✓	✓		✓	✓	✓	✓	✓		500	NSF 42 NSF 53 NSF P231
EV959106	2DC	✓				✓				✓	✓				750	NSF 42 NSF 53
EV960146	4DC	✓				✓				✓	✓				3,000	NSF 42 NSF 53
EV433910	Claris S	✓	✓												450	NSF 42
EV433911	Claris M	✓	✓												790	NSF 42
EV433912	Claris L	✓	✓												1,480	NSF 42
EV433913	Claris XL	✓	✓												2,120	NSF 42
EV433914	Claris XXL	✓	✓												3,490	NSF 42
EV969286	2CLM	✓				✓	✓	✓		✓				✓	1,000	NSF 42 NSF 53
EV969296	2CLM-S	✓	✓			✓	✓	✓		✓				✓	1,000	NSF 42 NSF 53

*As tested by Everpure

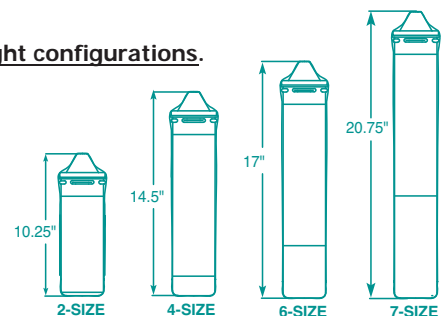
What's your filter size?

Everpure replacement filter cartridges are manufactured in four different height configurations.

Each cartridge has a size designation of:

- 2-size = 10.25" high
- 4-size = 14.5" high
- 6-size = 17" high
- 7-size = 20.75" high

- For example,
- 2-size = OCS & 2K cartridges
- 4-size = BH, 4C, 4K-Plus, S101, TFC cartridges
- 6-size = OW200L cartridge
- 7-size = 7TO, 7SO cartridges



Office Water

Water Appliances

Get luxurious water at the tap with **Everpure Helia®** and **Everpure Exubera®** Water Appliances. A superior complement to an Everpure filtration system, the Helia delivers both hot and cold water from one convenient unit. Ideal for upscale offices and wet bars, the Helia is perfect for drinking water, lemonade, frosty cold drinks... plus hot tea, hot chocolate, and quick meals such as oatmeal, pasta, and soups. The Exubera instantly delivers the best tasting ice cold, carbonated or flat water. Simply adjust the amount of "fizziness" in the carbonated water by adjusting the regulator on the CO₂ canister.



EV983040 Helia Water Appliance
Dimensions: 16" H x 10" W x 18" D



EV900083 Helia Dual-Temp Faucets



EV900078 Helia 3-Way Bar Faucet

Helia Heater/Chiller/Combi Drinking Water Appliance

- Capacity to deliver up to 7.9 gallons per hour of refreshing chilled water to an ideal 40°F
- Capacity to deliver up to 2.1 gallons per hour of near-boiling water, adjustable to 200°F
- Whisper quiet, hermetically sealed, maintenance-free compressor uses an ozone-friendly R134a refrigerant and consumes only 870 watts of electricity
- Compact unit is easy to conceal inside any cabinet or wet bar
- Water block and step-by-step operating guide included
- Must be used with the Everpure Helia Dual-Temp Faucet or the Helia 3-Way (Hot/Cold/Ambient) Bar Faucet

	HHD Part#	Description	Pack Qty
A	EV9830-40	Helia Instant Hot/Chiller/Combi	1 ea
B	EV9000-83	Faucet, Helia Polished S/S	1 ea
C	EV9000-87	Faucet, Helia Brushed S/S	1 ea
D	EV9000-78	Faucet, 3-Way Bar, G68 H	1 ea



EV983050 Exubera Water Appliance
Dimensions: 16" H x 10" W x 18" D



EV900084 Exubera Dual-Temp Faucets



EV900079 Exubera 3-Way Bar Faucet

Exubera Carbonator/Chiller/Combi Drinking Water Appliance

- Capacity to deliver 7.9 gallons chilled/carbonated water per hour and chill to an ideal temperature of 40°F
- Whisper quiet, hermetically sealed, maintenance-free compressor uses an ozone-friendly R134a refrigerant and consumes only 350 watts of electricity
- Compact unit is easy to conceal inside any cabinet or wet bar
- Pressure reducer for disposable CO₂ cylinder, water block and step-by-step operating guide included
- Requires CO₂ cylinder to provide carbonation
- Must be used with the Everpure Exubera Dual Temp Faucet or the Exubera 3-Way Bar Faucet

	HHD Part#	Description	Pack Qty
E	EV9830-50	Exubera Carbonator/Chiller/Combi	1 ea
F	EV9000-84	Faucet, Exubera Polished S/S	1 ea
G	EV9000-88	Faucet, Exubera Brushed S/S	1 ea
H	EV9000-79	Faucet, 3-Way Bar, G68 WG	1 ea
	EV9318-61	Disposable CO ₂ Cylinders	12 pk
	EV9318-62	Disposable CO ₂ Cylinders	1 ea
	EV3124-91	Pressure Reducer for Disposable CO ₂ Cylinder	1 ea
	EV3124-92	Pressure Reducer for Refillable CO ₂ Cylinder	1 ea

Office Water

Water Appliances



EV9318-20 Mini Water Chiller
Dimensions: 6.75" H x 11" W x 11.75" D

Mini Water Chiller

- Chills to 45°F
- Produces 3 gallons per hour
- New, small footprint chiller

- 11"W x 6.75"H x 11.75"D
- Less noise
- UL Listed

HHD Part#	Everpure Part#	Pack Qty
EV9318-20	EV931820	1 ea



EV9830-40 Polaria Water Chiller
Dimensions: 14" H x 7" W x 17" D

Polaria® Water Chiller

- Chills to an ideal temp of 50°F
- Produces 1.3 gallons chilled water per hour
- 0.7 gallon internal tank
- Whisper quiet, hermetically sealed, and maintenance-free compressor
- Uses ozone-friendly HFC-134a

- refrigerant
- Consumes only 155 watts of electricity when compressor is cycling
- Stainless steel components and lead-free design
- Accessory power cord included
- UL listed

HHD Part#	Description	Pack Qty
EV9318-30	Polaria Water Chiller	1 ea



EV9318-40 Solaria
Instant Hot Water Dispenser
Dimensions: 11.2" H x 6.8" W x 8.1" D

Solaria® Instant Hot Water Dispenser

- Piping hot water available on demand at 190°F
- Produces 100 cups of water per hour
- Compact unit mounts on wall or inside virtually any cabinet
- Insulated stainless steel tank is energy efficient and maintenance-free

- Powerful 1300 watts for quicker recovery
- Fingertip temperature adjustment
- Easy to install w/quick connect fittings
- Self-resetting thermal fuse protects header by preventing accidental dry starts
- UL listed

HHD Part#	Description	Pack Qty
EV9318-40	Solaria Instant Hot Water Dispenser	1 ea

Faucets

Everpure designer drinking water faucets deliver a steady stream of premium quality filtered water from Everpure water filtration systems. These separate filter faucets are available in seven stunning finishes and colors to match today's office decor.

Dual-Temp Water Appliance Faucets (used for Solaria®)



EV9000-85 Polished Stainless Steel
EV9000-86 Polished Stainless Steel

Enhancing Water Filtration

Provide POU water with a sleek designer look by combining an Everpure Designer Series faucet and water filtration system with the new Everpure water chiller or instant hot water dispenser. **CERAMIC DISC-TYPE VALVE**— won't leak and no O-rings to replace.

Designer Water Appliance Faucets (used for Polaria®)

Approved for use in California



EV9970-56 Chrome
EV9970-61 Satin Nickel
EV9970-55 Antique Brass
EV9970-57 Antique Wine
EV9970-58 Bright Black
EV9970-59 Brushed Nickel
EV9970-60 Oil Rubbed Bronze

Office Water

Drinking Water Systems, Replacement Filter Cartridges

MicroGuard Filters Reduce Bacteria by 99.9999%

Purifying Quick Change Filter for Bacteria Reduction



MicroGuard™ Pro 2 and MicroGuard™ Pro 4 Cartridges

- Multi-stage cartridges contain membrane plus carbon block technology
- 0.15-micron filter rated for chlorine taste & odor
- Capillary membrane filtration reduces:
 - 99.9999% of bacteria
 - asbestos fibers
 - cysts such as *Cryptosporidium* and *Giardia*

	HHD Part#	Everpure Part#	Capacity	Pack Qty
A	PRO2	EV963701	2,200 gal	6 pk
B	PRO4	EV963702	3,600 gal	6 pk

Bacteria Reduction with Prefiltration

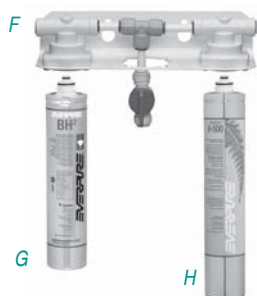


MicroGuard Plus POU Water Treatment System (see page 20)

- 2-stage microfiltration, dual series head
- 1/2-micron precoat filter with AgION® antimicrobial protection
- Multi-stage cartridge contains membrane plus carbon block technology

	HHD Part#	Everpure Part#	Capacity	Pack Qty
C	BH	EV961251	3,000 gal	6 pk
D	PRO4	EV963702	3,600 gal	6 pk
E	EV9272-24	EV927224	—	1 ea

Purifying Quick Change Filter for Bacteria and Virus Reduction



V-500 ViruPure® System

- Multi-stage purifying cartridge reduces:
 - bacteria & virus
 - chlorine, chloramine & limescale
 - particulates & VOCs - lead, MTBE & TTHM
 - cysts such as *Cryptosporidium*, *Entamoeba* and *Giardia*

	HHD Part#	Everpure Part#	Capacity	Pack Qty
	EV8002-79	EV800279	Baffle	1 ea
F	EV9798-38	EV979838	VP Head	1 ea
G	BH	EV961251	3,000 gal	6 pk
H	EV9798-26	EV979826	500 gal	1 ea

*Both cartridges installed in the system require a tri wall baffle (EV800279) installed in each inlet of the series head.

Chlorine Taste & Odor, Particulate, Asbestos and Cyst Reduction Cartridges

Proven Precoat Technology



AC and 4C Cartridges

- 1/2 micron precoat filter rated for chlorine taste & odor, particulate and cyst reduction
- AC cartridge also provides asbestos reduction

	HHD Part#	Everpure Part#	Capacity	Pack Qty
I	AC	EV960112	750 gal	6 pk
J	4C	EV960100	3,000 gal	6 pk

Popular International Products Now Available in the U.S.

Micro-Pure® II with AgION™ antimicrobial protection

NEW!



2DC and 4DC Cartridges

- 1/2 micron precoat filter rated for chlorine taste & odor, particulate, cyst reduction and bacteriostatic protection

	HHD Part#	Everpure Part#	Capacity	Pack Qty
K	2DC	EV959106	750 gal	6 pk
L	4DC	EV960146	3,000 gal	6 pk

Office Water

Drinking Water Systems, Replacement Filter Cartridges



A B
PLUS added Lead Protection



C D
PLUS Lead Reduction and KDF for Limescale



E F
PLUS Slime Buildup Reduction and KDF Media

PLUS 99% Reduction of Dissolved and Particulate Lead, and TTHM Reduction

NEW!



First Chloramine solution designed for water



G

S-54 and S-104 Cartridges

- Featuring 1/2 micron precoat technology
- Rated for chlorine taste & odor, particulate, lead and cyst reduction

	HHD Part #	Everpure Part #	Capacity	Pack Qty
A	S54	EV972006	750 gal	6 pk
B	S104	EV961346	1,000 gal	6 pk

OW2-Plus and OW4-Plus Cartridges

- Featuring 1/2 micron precoat technology
- Rated for chlorine taste & odor, particulate, asbestos, lead and cyst reduction
- Provides bacteriostatic protection
- KDF® media inhibits limescale buildup
- Great for drinking water or coffee!

	HHD Part #	Everpure Part #	Capacity	Pack Qty
C	OW2Plus	EV963406	1,000 gal	6 pk
D	OW4Plus	EV963506	2,000 gal	6 pk

2K-Plus and 4K-Plus Cartridges

- 1/2-micron precoat filters containing KDF media
- Provides all the benefits of precoat filters
- Reduces slime and excessive scale problems

	HHD Part #	Everpure Part #	Capacity	Pack Qty
E	2KPlus	EV961266	1,500 gal	6 pk
F	4KPlus	EV961276	3,000 gal	6 pk

OW200L Cartridge

- Featuring 1/2 micron precoat technology
- Rated for chlorine taste & odor, particulate, asbestos and cyst reduction
- NSF listed for up to 99% reduction of both dissolved and particulate lead, and total trihalomethane (TTHM) reduction
- Features limescale reduction

	HHD Part #	Everpure Part #	Capacity	Pack Qty
G	OW200L	EV961906	480 gal	6 pk

2CLM Cartridge

- Provides chloramines, chlorine taste, & odor reduction
- Effectively filters dirt and particles as small as 1/2 micron in size
- Removes cysts such as Cryptosporidium and Giardia
- NSF 42 and 53

	HHD Part #	Everpure Part #	Capacity	Pack Qty
H	2CLM	EV969286	1,000 gal	6 pk

Ultraviolet (UV) In-line Filter Cartridges



A



B

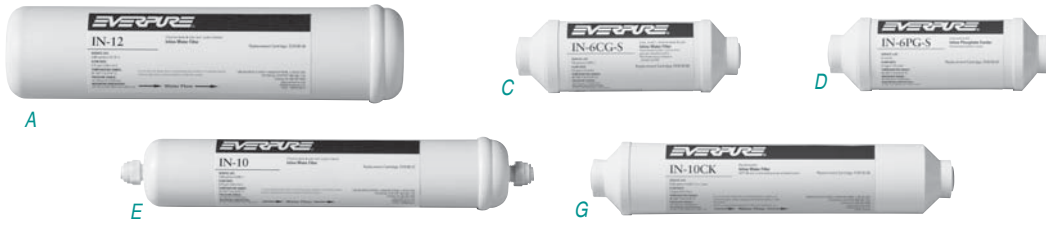
OCS Ultraviolet In-Line Filters

- Filter features 1/2 GPM UV module for bacteria and virus reduction
- UV ballast sold separately

	HHD Part#	Everpure Part#	Description	Capacity	Fittings	Pack Qty
A	IN10UV	EV910079	UV In-Line Filter	12 mo	1/4" JG	12 pk
B	INUVB	EV311842	UV Ballast 120V / 60Hz Mechanical	—	—	25 pk

OCS Water

In-Line Filters



OCS Standard In-Line Filters

- High and standard capacity models
- All models offer chlorine taste & odor (T&O) reduction; select models offer scale control
- Fittings either 1/4" FPT or 1/4" JG

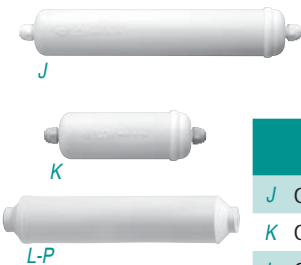
HHD Part#	Everpure Part#	Size	Description	Capacity	Fittings	Pack Qty	
A	IN12	EV910007	2 1/2" x 10"	High Capacity Granular Activated Carbon Filter w/ Scale Control	4,800 gal	1/4" FPT	6 pk
B	IN12G	EV910086	2 1/2" x 10"	High Capacity Granular Activated Carbon Filter w/ Scale Control	4,800 gal	1/4" JG	6 pk
C	IN6CGS	255589-67	2" x 6"	Granular Activated Carbon Filter for T&O Reduction w/Scale Prevention	700 gal	1/4" FPT	6 pk
D	IN6PGS	EV910067	2" x 6"	100% Phosphate Filter for Scale Prevention Only	6 mo	1/4" FPT	6 pk
E	IN10	EV910008	2" x 10"	Granular Activated Carbon Filter w/Scale Control	2,400 gal	1/4" FPT	6 pk
F	IN10G	EV910006	2" x 10"	Granular Activated Carbon Filter w/Scale Control	2,400 gal	1/4" JG	6 pk
G	IN10CK	EV910068	2" x 10"	KDF-55D/Carbon Filter for T&O Reduction w/Scale & Slime Prevention	5,000 gal	1/4" FPT	6 pk
	IN10CL1	EV910073	2" x 10"	Taste, Odor, Lead & Cyst Reduction	750 gal 6 mo		6 pk
	IN10NS5	EV910072	2" x 10"	5 Micron Sediment	—		6 pk



In-Line Filter Cartridge Clips

HHD Part#	Everpure Part#	Description
OC	EV311840	2" Filter Clip
OC2	EV311841	2 1/2" Filter Clip

Traditional In-Line Filters



- PENTEK®-branded filters offered with pressed-in John Guest® fittings
- Models available to reduce sediment, chlorine taste & odor, lead, cysts and other contaminants
- Two models also contain phosphate for scale reduction

HHD Part#	Everpure Part#	Description	Fittings	Pack Qty	
J	GS6RO	255519-43	2" X 6" GAC Filter	1/4" JG	12 pk
K	GS6ALS	255593-43	2" X 6" Phosphate Filter	1/4" JG	12 pk
L	GS10CB1	255615-43	2" X 10" 1-Micron CB Filter	1/4" JG	12 pk
M	GS10ALS	255599-43	2" X 10" GAC w/Phosphate Filter	1/4" JG	12 pk
N	GS10RO	255525-43	2" X 10" CC Shell Filter	1/4" JG	12 pk
O	GS10SED5	255579-43	2" X 10" 5-Micron Sediment Filter	1/4" JG	12 pk
P	GS10LS	255649-43	2" X 10" 1-Micron Lead/Cyst Filter	1/4" JG	12 pk
	GS10KDF	255553-43	2" X 10" CC Shell with KDF® Filter	1/4" PPT	12 pk

Office Coffee

Chlorine Taste & Odor, Particulates, Asbestos and Cyst Reduction Cartridges with Scale Control



OCS and BH Cartridges

- 1/2-micron precoat filter with AgION® antimicrobial protection
- Reduces chlorine taste & odor, cyst, particulate & asbestos, limescale buildup,
- OCS² for low flow, low volume coffee brewers

	HHD Part#	Everpure Part#	Capacity	Pack Qty
A	OCS	EV961807	3,000 pots or 1,500 gal	6 pk
B	BH	EV961251	6,000 pots or 3,000 gal <i>(designed for single-cup flow rates)</i>	6 pk

2K-Plus and 4K-Plus Cartridges

- 1/2-micron precoat filters contain KDF® media
- Provide benefits of the precoat filters
- Reduce slime and excessive scale problems

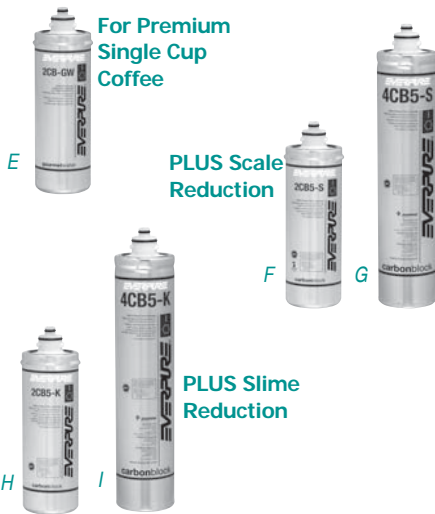
	HHD Part#	Everpure Part#	Capacity	Pack Qty
C	2KPLUS	EV961266	1,500 gal	6 pk
D	4KPLUS	EV961276	3,000 gal	6 pk

2CLM-S Cartridge

- Provides chloramines, chlorine and taste & odor reduction
- Effectively filters dirt and particles as small as 1/2 micron in size
- Removes cysts such as Cryptosporidium and Giardia
- NSF 42 and 53

	HHD Part #	Everpure Part #	Capacity	Pack Qty
	2CLM-S	EV969296	1,000 gal	6 pk

5-Micron Carbon Block Filters



2CB-GW Cartridge

- For premium single cup coffee machines
- Effectively filters out particles that affect taste
- Reduces chlorine taste & odor, dirt and cloudiness
- Protects equipment from abrasion and lowers energy costs by reducing limescale

	HHD Part#	Everpure Part#	Capacity	Pack Qty
E	2CBGW	EV961836	3,000 gal	6 pk

2CB5-S and 4CB5-S Cartridges

- 5-micron carbon block filters reduce chlorine taste & odor and inhibit scale

	HHD Part#	Everpure Part#	Capacity	Pack Qty
F	2CB5S	EV961722	3,000 gal	6 pk
G	4CB5S	EV961726	6,000 gal	6 pk

2CB5-K and 4CB5-K Cartridges

- 5-micron carbon block filters for chlorine taste & odor reduction
- Contains KDF® media for scale and slime control

	HHD Part#	Everpure Part#	Capacity	Pack Qty
H	2CB5K	EV961706	3,000 gal	6 pk
I	4CB5K	EV961736	6,000 gal	6 pk

Coffee Brewer/Single Cup Installation

- Part# GASV4
JG angle stop valve
Developed to be used as a water "feed/supply" source
- 1/4" Female Flare Brass adapter Swivel Elbow Fitting
- 3/4" FGH adapter Swivel Elbow Fitting
- 3/4" BSP Swivel Elbow Fitting



GOURMET WATER FOR PREMIUM SINGLE CUP COFFEE APPLICATIONS!

All installation kits include 15 ft. 1/4" tubing and GASV4



Accommodates most coffee brewers and single cup machines!

Part# 2CBGW

- For Premium Single Cup Coffee Machines
- Effectively filters out particles that affect taste.
 - Reduces chlorine and other bad tastes and odors, dirt and cloudiness.
 - Protects your equipment and lowers energy costs by reducing limescale.
 - All Flavia kits include velcro for mounting to brewer.

HHD Part#	Description
KIKGE	Keurig/Brewer Install Kit with 2CBGW and 3/4 FGH
KIKE	Keurig/Brewer Install Kit with 2CBGW and 1/4 FE Flare
FIKE	Flavia Install kit with 2CBGW 3/4 FE BSP

Vending

Chlorine Taste & Odor and Particulate Cartridges



4C and 4H Cartridges with Limescale Inhibitor Feed

- Powdered formula provides a more even feed with dramatic results
- 1/2-micron precoat filter rated for:
 - chlorine taste & odor
 - particulate reduction
 - cyst reduction
- 4H features asbestos and limescale reduction

	HHD Part#	Everpure Part#	Capacity	Pack Qty
<i>C</i>	4C	EV960100	3,000 gal	6 pk
<i>D</i>	4H	EV961100	3,000 gal	6 pk

PLUS KDF® for Slime Reduction and Scale Control for Premium Coffee Applications



2K-Plus and 4K-Plus Cartridges

- 1/2-micron precoat filters containing KDF® media
- Provides all the benefits of precoat filters
- Reduces slime and excessive scale problems

	HHD Part#	Everpure Part#	Capacity	Pack Qty
<i>E</i>	2KPLUS	EV961266	1,500 gal	6 pk
<i>F</i>	4KPLUS	EV961276	3,000 gal	6 pk

5-Micron Carbon Block Cartridges for Chlorine Taste & Odor Reduction

Contains KDF® Media for Scale and Slime Control



2CB5-K and 4CB5-K Cartridges

	HHD Part#	Everpure Part#	Capacity	Pack Qty
<i>G</i>	2CB5K	EV961706	3,000 gal	6 pk
<i>H</i>	4CB5K	EV961736	6,000 gal	6 pk

Chlorine Taste and Odor Reduction



2CB5 and 4CB5 Cartridges

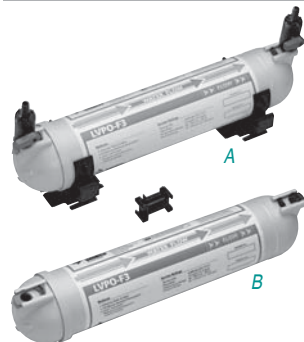
	HHD Part#	Everpure Part#	Capacity	Pack Qty
<i>I</i>	2CB5	EV961705	3,000 gal	6 pk
<i>J</i>	4CB5	EV961716	6,000 gal	6 pk

2CB5-S and 4CB5-S Cartridges

	HHD Part#	Everpure Part#	Capacity	Pack Qty
<i>K</i>	2CB5S	EV961722	3,000 gal	6 pk
<i>L</i>	4CB5S	EV961726	6,000 gal	6 pk

LVPO Filtration

Large Volume Per Outlet (LVPO)



LVPO F3 Filtration System

- Reduces limescale, sediment and chlorine taste & odor
- Includes 3/8" barb quick connect ball valves, filter bypass, filter and mounting brackets

	HHD Part#	Everpure Part#	Description	Capacity	Pack Qty
<i>A</i>	94-751-01	94-751-01	LVPO F3 Starter Kit	6,000 gal	1 ea
<i>B</i>	94-470-01	94-470-01	LVPO F3 Replacement	6,000 gal	12 pk
	94-471-01	94-471-01	Quick Connect 1/2" NPT		50 pk
	94-475-00	94-475-00	LVPO Filter QD Bypass		50 pk
	94-473-00	94-473-00	LVPO Filter Bracket Slide or Wall Mount		50 pk

Filter Heads

Filter Heads



QL3
EV925914
Single Head with Shutoff, Mounting Bracket and 3/8" NPT
12 pk



QL1R
EV925619
Filter Head with Reversed Inlet and Outlet, 3/8" FPT (Bracket Designed to Match Competitive Mounting Holes)
24 pk



QL2G4
EV927219
Filter head without shutoff. Includes bracket, mounting screws, and 1/4" JG
12 pk



QL1
EV925618
QL1 Single Head w/out Fittings, 3/8" FPT
24 pk



QL3B
EV925924
QL3B Single Head with Built-in Shutoff Valve, Mounting Bracket and 3/8" NPT
12 pk



QL1G4
EV925620
QL1 Single Head without Shutoff, 1/4" JG (Includes Bracket)
24 pk



QL2
EV927218
Single Head without Shutoff. Includes Mounting Bracket and 3/8" FPT
24 pk



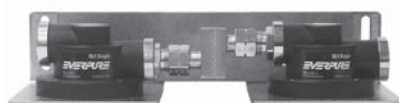
QL1G6
EV925617
QL1 Single Head without Shutoff, 3/8" JG (Includes bracket)
24 pk



EV9272-22
EV927222
QC71 Twin Parallel head for higher flow rate and capacity
Inlet/Outlet 3/4"



EV9272-24
EV927224
QC Twin Series Head. Combine carbon filtration with water softening. Use carbon cartridge followed by 7SO softening cartridge
Inlet/Outlet 3/4"



EDSH
QC Twin Series Head.
Inlet/Outlet 3/8" FPT

A Full Range of Fittings Available
Flare, Compression, Barb, S/S, Quick Connect

Replacement Parts



Flow Control
1/4" JG Quick Connect x 3/8" MPT

HHD Part#	Everpure Part#	Description
J	EV3008-00	EV300800 Black Valve Handle for Brass Head
J	EV3034-52	EV303452 Black Valve Handle for Plastic Head
	EV3046-44	EV304644 Single Bracket
K	EFR46	EV308132 Male Connector with Flow Control for OW200L, OW2-Plus and OW4-Plus
L	EV5896-00	EV589600 Valve Stem Assembly
	EVEROR	EV301000 O-Ring (For Valve Stem)
	EV3108-76	EV310876 Header Bypass Assembly

Reverse Osmosis

RO System

NEW!



PENTEK® RO-2500 RO System

- Filters particles as small as 1/1000 of a micron
- Reduces salts, dissolved minerals and bad taste & odor
- Comes complete with cartridges, long-reach faucet, and installation hardware
- GE/Desalt® 36 GPD thin film composite membrane
- 3/8" Quick Connect Inlet/Outlet
- 2 Gallon steel tank

HHD Part#	Everpure Part#	Pack Qty
161074	161074	1 ea

RO Cartridges

RO Elements and RO Encapsulated Modules



A



B

	HHD Part#	Everpure Part#	Model	Description	Pack Qty
A	TFM50	1204694	TFM-50	RO Element	25 pk
A	TFM75	1229150	TFM-75	RO Element	25 pk
A	TFM100	1221122	TFM-100	RO Element	25 pk
B	1223077	1223077	TFM-75 EB	RO Encapsulated Module	25 pk
B	1238189	1238189	TFM-100 EB	RO Encapsulated Module	25 pk

RO Accessories

Accumulator Tanks & Accessories



Increases filter life - ask Everpure how!

	HHD Part#	Everpure Part#	Description	Pack Qty
C	ROTANK		3.2 Gallon Accumulator Tank, 15" H x 11" W (with Base) Outlet size 1/4" MPT	1 ea
	ROTANK5		5 Gallon Tank, Outlet size 1/4" MPT	1 ea
	ROTANK14		14 Gallon Accumulator Tank, Outlet size 1/4" NPT	
	BVE4G4F		Ball Valve, 1/4" NPT x 3/8" PI for 3 Gallon Tank	1 ea
	BVE6G4F		Ball Valve Elbow 3/8" quick connect, 1/4" FPT	
	EV3123-39	EV312339	Adapter, Air Gap RO, Wall Mount	1 ea
D	181-201	181-201	Accumulator Tank, 21 oz.	1 ea

IN-10 CC In-Line Filter

- Adds minerals back for flavor in coffee applications

- Calcite/Carbon Filter for T&O w/ gal Mineral Feed
- For use with RO systems



E

	HHD Part#	Everpure Part#	Capacity	Fittings	Pack Qty
E	IN10CC	EV910071	2,000 gal	1/4" FPT	6 pk

Reverse Osmosis

RO Systems and Processors



ROM II RO System

- Reverse osmosis system without storage tank
- Reduces unwanted minerals, nitrate, chlorine and sediment
- Nominal water production per day: 14 gallons with 50 psi (77° inlet water temperature)

HHD Part#	Everpure Part#	Description	Pack Qty
ROM2	EV927375	ROM II RO System	1 ea
S101	EV927377	S101 Replacement Cartridge for ROM II*	1 ea
TFC	EV927370	TFC Replacement Membrane for ROM II**	1 ea

*Filter cartridge should be changed every 6 months
 **RO Cartridge should be changed every 2 years

ROM 10 and ROM 20 RO Processors

- Reduces unwanted minerals, nitrate, chlorine & sediment
- Filter heads and cartridges sold separately - choose one membrane and one filter cartridge from the selection below to build the desired system
- ROM 10 water production per day: 100 gallons*
- ROM 20 water production per day: 200 gallons*

HHD Part#	Everpure Part#	Description	Pack Qty
ROMHEAD	EV927226	ROM 10 / ROM 20 System Head	1 ea
ROM10	EV927391	ROM 10 Membrane	1 ea
ROM20	EV927393	ROM 20 Membrane	1 ea
7TO	EV960705	7TO Carbon Filter	1 ea
7CB5	EV961811	7CB5 Carbon Filter	1 ea
4CB5	EV961716	4CB5 Carbon Filter	6 pk

Nominal water production with 50 PSI (77 degrees inlet water temperature)

Water Testing Accessories



HHD Part#	Everpure Part#	Description	Pack Qty
F	AC5	AquaChek 5™ Bottle of Test Strips	1 ea
		32 oz. Water Sample Bottle for Lab Analysis (Not Shown)	1 ea
G	TDS	Digital Pocket TDS Meter 0-9990 ppm TDS; Temperature Reading 0-80°C; Reading "Hold" Function with Soft Case	1 ea
H	DEV701383	Smart Office Water Test Kit (Includes a Disposable TDS Meter, Test Strips for Hardness, pH, Total Alkalinity, Total Chlorine, Free Chlorine, and Chlorides, and a Reagent Powder Packet with Vial for Iron Testing and Instructions)	25 pk

Contact your local Everpure representative or Everpure Technical Service at 1-800-942-1153 to obtain pricing and procedures. Additional charges may apply for laboratory testing.

Water Pressure Reducer Valves

NEW!



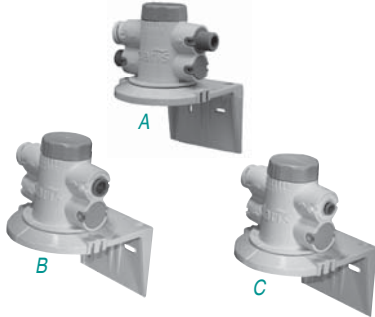
Part No	Description	Pack Qty
183-150NF	50 PSI, 1/2" MPT	30
183-150-01	50 PSI, 3/8" Barb S/S fittings and body	

Water Pressure Reducing Valves (WPRVs) are a low-cost investment that provide two functions: they reduce the water pressure from city mains to provide a lower and safer pressure for plumbing and appliances, and they regulate the water pressure for consistency and better performance from appliances. High water pressure spikes can rupture pipes, and damage gaskets, valves and o-rings, causing costly leaks.

Tailored Hardness for Perfect Coffee and Outstanding Limescale Protection

- Quick change softening plus 5-stage filtration
- Lower upfront cost than RO and takes up less space
- Blending allows for perfect tasting specialty coffees and teas
- Eliminates cloudy iced tea

Heads



Claris™ Heads

- Heads exclusively for use with Claris replacement cartridges

	HHD Part#	Everpure Part#	Fittings	Pack Qty
A	EV4339-21	EV433921	3/8" BSP	1 ea
B	EV4339-23	EV433923	3/8" QC	1 ea
C	EV4339-25	EV433925	1/4" QC	1 ea

Cartridges



Claris Cartridges

- Adjustable ion-selective filter to tailor carbonate hardness levels in potable water
- Up to 25-30 gallons per day brewed coffee and espresso
- Flow rates up to 1.0 GPM (3.7 LPM)

*Capacity is based on 180 ppm incoming water @ 40% bypass.



	HHD Part#	Everpure Part#	Description	Pack Qty
D	EV4339-10	EV433910	Clariss Small Cartridge: - 400 Gallon Capacity* for Espresso Applications - 450 Gallon Capacity* for OCS/Coffee Applications	1 ea
E	EV4339-11	EV433911	Clariss Medium Cartridge: - 660 Gallon Capacity* for Espresso Applications - 790 Gallon Capacity* for OCS/Coffee Applications	1 ea
F	EV4339-12	EV433912	Clariss Large Cartridge: - 1,220 Gallon Capacity* for Espresso Applications - 1,480 Gallon Capacity* for OCS/Coffee Applications	1 ea
G	EV4339-13	EV433913	Clariss Xlarge Cartridge: - 1,740 Gallon Capacity* for Espresso Applications - 2,120 Gallon Capacity* for OCS/Coffee Applications	1 ea
H	EV4339-14	EV433914	Clariss XXL Cartridge: - 2,910 Gallon Capacity* for Espresso Applications - 3,490 Gallon Capacity* for OCS/Coffee Applications	1 ea

Accessories



Clariss Water Test Kit

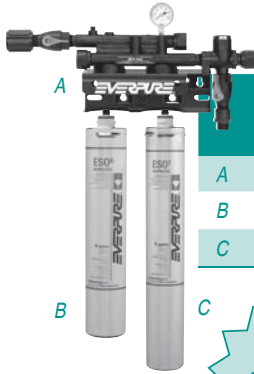
	HHD Part#	Everpure Part#	Pack Qty
I	EV4339-40	EV433940	1 ea

Special Purpose

Softening Filters and Cartridges

ESO 6 and ESO 7 Softening Filters and Cartridges

- Head and cartridges sold separately



	HHD Part#	Everpure Part#	Description	Capacity	
				Single	Twin
A	EV9272-22	EV927222	QC7I Twin Parallel Head	—	—
B	ESO6	EV960710	ESO 6 Cartridge	4,100 gr	8,200 gr
C	ESO7	EV960725	ESO 7 Cartridge	5,300 gr	10,600 gr

Also see CLARIS on page 14!

ESO 6 and 7 Cartridge Capacity

Incoming Water Hardness (grains/gallon)	ESO 6		ESO 7	
	Volume to Changeout (gallons)	Number of 8 oz cups	Volume to Changeout (gallons)	Number of 8 oz cups
3	1363	21809	1769	28300
4	1022	16357	1327	21225
6	682	10905	884	14150
8	511	8178	663	10613
10	409	6543	531	8490
12	341	5452	442	7075

ESO 6 and 7 Cartridge Capacity

Incoming Water Hardness (grains/gallon)	ESO 6		ESO 7	
	Volume to Changeout (gallons)	Number of 8 oz cups	Volume to Changeout (gallons)	Number of 8 oz cups
14	292	4673	379	6064
16	256	4089	332	5306
18	227	3635	295	4717
20	204	3271	265	4245
22	186	2974	241	3859
24	170	2726	221	3538

Application Guide	
Cartridge Capacity Grains per Gallon in Influent Water	Total Gallons = Product Water

QC Twin Series System

- Combines precoat filtration with water softening
- Use properly-sized precoat cartridge followed by 7SO Softening Cartridge



Recommended for Scale Control in Single Cup Machines

	HHD Part#	Everpure Part#	Description	Capacity	Pack Qty
D	EV9272-24	EV927224	QC Twin Series Head	—	1 ea
E	7SO	EV960704	7SO Softening Cartridge	2,000 Gr	1 ea

IN-15 CR In-Line Filter

- 15" resin and carbon for T&O reduction with hardness removal

	HHD Part#	Everpure Part#	Capacity	Fittings	Pack Qty
F	IN15CR	EV910078	650 grains	1/4" FPT	6 pk

Replacement Cartridges For 3M®/Cuno® Series 8000 Systems

Part# EFS5002K

- Carbon block filter finely polishes water for high quality beverage and food applications
- Reduces limescale build-up
- KDF® Media inhibits microbial growth and provides bacteriostatic control.
- Flow Rate: 0.5 GPM



Part# EFS8002

- Carbon block filter finely polishes water for high quality beverage and food applications
- Reduces chlorine, taste, and odor and other offensive contaminants
- Reduces extra fine dirt and particles as small as 5 micron in size.
- Flow Rate: 1.5 GPM

Part# EFS8002S

- Reduces extra fine dirt and particles as small as 5 micron in size and delivers scale reduction capabilities
- Carbon block filter finely polishes water for high quality beverage and food applications
- Reduces chlorine, taste, odor and other offensive contaminants
- Flow Rate: 1.5 GPM

- 5-micron nominal carbon block filtration
- Reduce particulates, taste & odor, and chlorine taste & odor

	HHD Part#	Everpure Part#	Description	Capacity	Pack Qty
G	EFS5002K	EV975111	EFS5002-K Scale Inhibition	4,000 gal	6 pk
H	EFS8002	EV978110	EFS8002 Bacteriostatic and Microbial Control	10,000 gal	6 pk
I	EFS8002S	EV978112	EFS8002-S Scale Inhibition	10,000 gal	6 pk



Fits Most Cuno Heads!

Special Purpose

Softening Filters and Cartridges for Single Cup and Espresso Applications

Softening System, Housings and Replacement Cartridges

- 15" resin and carbon for T&O reduction with hardness removal



	HHD Part#	Everpure Part#	Description	Capacity	Fittings	Pack Qty
A	EV9100-02	EV910002	A-11 10" Opaque Housing for SO-10	—	1/4" FPT	1 ea
	EV9100-03	EV910003	A-20 20" Opaque Housing for SO-20	—	1/4" FPT	1 ea
B	EV9105-41	EV910541	SO-10 Softening	750 Grain	—	12 pk
	EV9105-42	EV910542	SO-20 Softening	1,500 Grain	—	6 pk
	EV9100-94	EV910094	SO-24 Softening System (Vessel & Cartridge)	4,500 Grain	—	1 ea
	EV9105-45	EV910545	SO-204 Softening	4,500 Grain	—	1 ea

Scale Reduction Housings, Cartridges



ScaleStick® Scale Reduction Cartridges

- Inhibit mineral scale deposits by dispensing a controlled amount of HydroBlend™ compound
- Translucent cartridge allows visual monitoring of product usage
- Fits standard 10" prefilter housing

	HHD Part#	Everpure Part#	Description	Pack Qty
C	EV9799-02	EV979902	SS-10 Scale Reduction	12 ea
	EV9799-04	EV979904	SSW-10 Wrap ScaleStick®	12 ea
D	EV9799-05	EV979905	SWS-10 Sediment Filter Wrap	12 ea
E	EV9799-06	EV979906	CWS-10 Carbon Block Filter Wrap	12 ea

10" Filter Housing

- For use with ScaleStick® Scale Reduction Cartridges and Wrap ScaleStick (above)

	HHD Part#	Everpure Part#	Description	Pack Qty
F	EV9100-01	EV910001	A-10 Clear Housing for ScaleStick®	1 ea
	EV9100-02	EV910002	A-11 Opaque Housing	1 ea

Flushing and Sanitizing is Simple and Easy

Recommended by NAMA



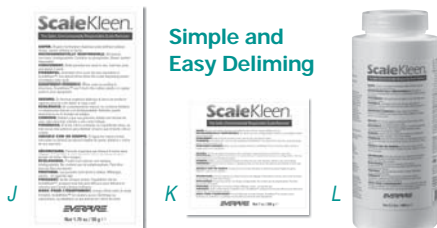
Model JT Flushing/Sanitizing Cartridge

- Recommended by NAMA, the JT Cartridge is the preferred way to introduce sanitizing agents, such as bleach, into all water-using appliances through an existing Everpure filter head, eliminating the need for component disassembly

	HHD Part #	Everpure Part #	Length	Pack Qty
H	4JT	EV960800	14.5"	1 pk
	JT	EV960810	10.25"	1 pk

ScaleKleen® Scale Remover

- Smart, environmentally safe way to de-lime equipment and other water-using appliances



	HHD Part#	Everpure Part#	Description	Pack Qty
J	SK175	EV979831	1.75 oz. (50 gram) Packets (English/French/Spanish)	96/case
K	SK7	EV979833	7 oz. (200 gram) Packets (English/French/Spanish)	24/case
L	SK22	EV979835	2.2 lb (1 kg) Canister (English/French/Spanish)	4 pk

Filter System Housings, Replacement Cartridges

The Costguard® product line features six bowl-style filter housings with a selection of drop-in cartridges designed for operations with different application configurations, volume requirements and/or water quality problems.

Costguard Filter System Bowl Housings

- Complete with gauge and shutoff approximately 2 1/2-inch diameter



CGS-10

HHD Part#	Everpure Part#	Description	Volume (cubic ft.)	Weight (lbs.)	Pack Qty
EV9100-10	EV910010	CGS-10 10" Single	0.75	4.9	1 ea
EV9100-12	EV910012	CGS-12 10" Twin Series	0.81	7.75	1 ea
EV9100-20	EV910020	CGS-20 20" Single	1.25	6.75	1 ea
EV9100-22	EV910022	CGS-22 20" Twin Series	1.34	12.0	1 ea
EV9100-23	EV910023	CGS-23 20" Twin Parallel	1.90	18.0	1 ea
EV9100-50	EV910050	CGS-55 20" Triple Series	2.84	20.0	1 ea

Costguard Standard Cartridges

- Approximately 2 1/2-inch diameter; approximately 5", 10" and 20" lengths
- Models available for sediment, chlorine taste & odor reduction, scale prevention



CGS-12

HHD Part#	Everpure Part#	Description	Volume Micron	Weight (cubic ft.) (lbs.)	Case Qty
Length – 10-inch					
EV9108-11	EV910811	CGT-10 GAC	—	0.746 12.1	12 pk
EV9108-13	EV910813	CGT-10S GAC w/Phosphate (Bun! Replacement)	—	0.746 12.1	12 pk
EV9108-15	EV910815	CG5-10 Carbon Block	5	0.746 14.0	12 pk
EV9108-17	EV910817	CG5-10S Carbon Block w/Phosphate	5	0.746 16.0	12pk
EV9108-53	EV910853	CG53-10 Carbon Block	0.5	0.746 14.0	12 pk
EV9108-57	EV910857	CG53-10S Carbon Block w/Phosphate	0.5	0.746 16.9	12 pk
155248-43	155248-43	PCC212 Phosphate Crystal (12 oz)	—	1.124 6.8	6 pk
255800-43	255800-43	PENTEK® KDF/GAC	—	0.624 22.8	12 pk



CG5-10

Length – 20-inch					
EV9108-32	EV910832	CGT-20 GAC	—	1.181 16.6	6 pk
EV9108-33	EV910833	CGT-20S GAC w/Phosphate	—	1.181 18.0	6 pk
EV9108-25	EV910825	CG5-20 Carbon Block	5	1.181 17.0	6 pk
EV9108-27	EV910827	CG5-20S Carbon Block w/Phosphate	5	1.181 18.0	6 pk
EV9108-63	EV910863	CG53-20 Carbon Block	0.5	1.181 15.0	6 pk
EV9108-67	EV910867	CG53-20S Carbon Block w/Phosphate	0.5	1.181 16.5	6 pk
155016-43	155016-43	P5-20 Spun Polypropylene Sediment	5	1.020 9.4	24 pk



P5

Length – 9 7/8-inch					
155014-43	155014-43	P5 Spun Polypropylene Sediment	5	1.678 15.6	20 pk
Length – 4 7/8-inch					
155110-43	155110-43	GAC-5 Granular Activated Carbon	—	0.656 12.3	24 pk
155030-43	155030-43	P5-478 Spun Polypropylene Sediment	5	0.565 5.1	24 pk

Housings

- Housings without brackets, gauges and shutoffs
- Available with 3/8" and 1/2" inlet/outlet connections



10" High Temp

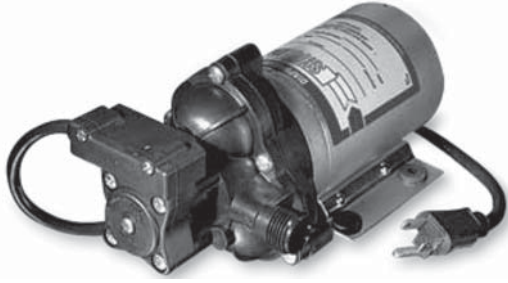
HHD Part#	Everpure Part#	Description	Volume (cubic ft.)	Weight (lbs.)	Pack Qty
Slim Line® 3/8-inch inlet/outlet connections					
158149	158149	#10 Slim Line® Hsg. White/White w/Pressure Relief	2.054	22.4	12 pk
High Temperature 1/2-inch inlet/outlet connections					
158319	158319	#10 Slim Line® Black High Temperature Housing	1.211	38.0	12 pk

SHUR-FLO

Pumps

Other pumps available upon request

2088 Series Pump



The 2088 Series are high flow, low pressures ideally suited for beverage and water applications such as city water pressure boost, portable cart water delivery, batch and transfer of product. These pumps activate automatically as line pressure drops and shuts off when a preset pressure is achieved.

Features:

- Self Priming up to 12 vertical lift feet [3.7m].
- Used in delivery and transfer applications up to 3.5 GPM.
- NSF listed. UL/CSA recognized components.
- Built-in check valve (may vary by model) prevents back flow of fluid.
- Automatic turn on / shut-off.
- Can run dry without damage.

Part#	Description	PSI	BAR	GPM	LMP	Amps
2088-554-144	12 VAC , 3.0 GPM open flow, Santoprene® valves, Santoprene® diaphragm, 45 PSI [3.1 BAR] Shut-off, 1/2-14** MPT Ports, NSF listed, No Cord.	10	0.7	2.8	10.7	5.8
		20	1.4	2.5	9.7	7.0
		30	2.1	2.3	8.7	8.0
		40	2.8	2.0	7.6	9.1
2088-594-144	115 VAC, 3.3 GPM open flow, Santoprene® valves, Santoprene® diaphragm, 45 PSI [3.1 BAR] Shut-off, 1/2-14** MPT Ports, NSF listed, With Cord.	10	0.7	2.60	9.8	0.58
		20	1.4	2.34	8.8	0.67
		30	2.1	2.08	7.9	0.76
		40	2.8	1.85	6.2	0.94
2088-594-154	115 VAC, 3.3 GPM open flow, Santoprene® valves, Santoprene® diaphragm, 45 PSI [3.1 BAR] Shut-off, 1/2-14** MPT Ports, NSF listed, No Cord.	10	0.7	2.60	9.8	0.58
		20	1.4	2.34	8.8	0.67
		30	2.1	2.08	7.9	0.76
		40	2.8	1.85	6.2	0.94

8000 Series Pump



SHURflo 8000 Series Delivery Pumps are ideal for applications that require high pressure with flow rates up to 1.8 GPM [6.8 LPM] with low amp draw. They can be mounted in any position, are compact, and are designed for long trouble-free life. Spherically shaped valves and diaphragms are available in a variety of materials to meet a wide variety of needs.

Features:

- Self priming up to 8 vertical feet [2.4m].
- Can run dry without damage.
- Flow up to 1.8 GPM.
- Pressures up to 150 psi available.
- NSF, UL and CSA listed.
- Built in check valve.

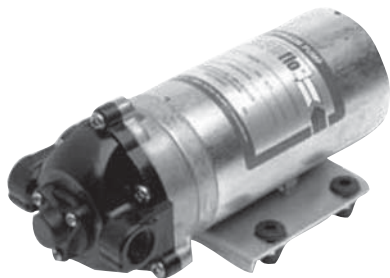
Part#	Description	PSI	BAR	GPM	LMP	Amps
8005-233-236	115 VAC, 1.5 GPM open flow, EPDM valves, Santoprene® diaphragm, 60 PSI [4.1 BAR] Demand Switch, 3/8" NPT-Female ports, No Cord.	20	1.4	1.26	4.7	0.48
		40	2.8	1.07	4.0	0.57
		50	3.4	0.99	3.7	0.61
		60	4.1	0.94	3.5	0.66
8005-733-255	115 VAC, 1.5 GPM open flow, EPDM valves, Santoprene® diaphragm, 45 PSI [4.1 BAR] Demand Switch, w/ 45 PSI Internal Bypass, 3/8" NPT-Female ports, No Cord.	20	1.4	1.26	4.9	0.40
		40	2.8	0.67	2.5	0.49
		60	4.1	0.05	0.1	0.54
8005-992-890	24 VAC, 1.5 GPM open flow, EPDM valves, Santoprene® diaphragm, 125PSI [3.1 BAR], internal bypass, Female 3/8"-18 NTP, with Cord.	40	2.8	0.51	1.9	0.95
		80	5.5	0.41	1.6	1.40
		120	8.3	0.22	0.80	1.68

SHUR-FLO

Pumps

Other pumps available upon request

8075 Silver Series R.O. Booster Pumps



The Silver Series R.O. Booster Pump is a pump that implements quality and reliability with a 3 year warranty. The Silver Series is one piece piston-diaphragm design that has substantially increased the life of the pump and reduced the potential leaks. The precision bypass maintains a constant, safe pressure regardless of the changes in incoming city water pressure. This enables your R.O. system engineers to design systems with precise product water quality and production rates.

Part#	Description	PSI	BAR	GPM	LMP	Amps
8075-111-319	24 VAC, 100	20	1.4	25.7	97.2	0.67
	GPD, 90 PSI [6.2	40	2.8	22.0	83.3	0.42
	BAR] Bypass 3/8"	60	4.1	18.1	70.8	1.16
	NPT	90	6.2	13.2	49.9	1.47

8075 High Performance R.O. Booster Pump



The High Performance Brushless-D.C. R.O. Booster Pump pushes the envelope in the market. The pump-head proves reliability with high efficiency, a long life Brushless-D.C. motor, which makes this a versatile work horse. The motor is robustly built to handle the demanding requirements of commercial R.O. systems. With its unique two speed switch, one pump meets the performance requirements of 150 or 200 GPD with a quick flip of a switch.

Features:

- High Flow Rate supports 150 - 200+GPD [570 - 760 LPD] systems at standard recovery rates.
- Extended motor life with brushless technology
- Quiet operation at any flow and pressure range.
- Pressures up to 140 PSI [9.6 BAR]

Part#	Description	PSI	BAR	GPM	LMP	Amps
8075-132-313	24 VAC, 50 GPD,	20	1.4	20.0	76	0.43
	90 PSI [6.2 BAR]	40	2.8	17.0	64	0.59
	Bypass, 1/4" Push	60	4.1	15.0	57	0.69
	Fit Connections.	90	6.2	10.0	38	0.93

Transformer



MUST be used with
8075-111-319 and
8075-132-313

Part# 60-044-00

- 100-240 VAC
- 50/60 Hz / 1.2 Amps
- 24 VDC 2.5 Amps
- US plug 4.5' power cord and 4.5' low voltage cord with AMP connector

Since 1968, the SHURflo brand has been in the business of manufacturing innovative and quality pumps and components to the Recreational Vehicle, Marine, Food Service, General Industrial and Water Treatment industries. The SHURflo brand takes pride in providing each customer with quality solutions for their fluid pumping needs.

The Water Treatment Industry is a prime example of product innovation. Adapting pumps and components to meet the needs of the reverse osmosis booster, delivery and transfer applications have led us to provide our valued customers with a wide array of innovative solutions to help them grow their business.

NEW Multi-Head Systems

Systems for Water Coolers All Filters on this page are rated for Taste, Odor and Chlorine, Plus...



2CB5-S54
Submicron, Chloramine, Lead, Cyst



2CB5-OW2PLUS
Submicron, Chloramine, Lead, Cyst, Bacteriostatic KDF®



OCS-PRO2
Ultrafiltration, Chloramine, Cyst, AgION® Antimicrobial Protection



4CB5-BH
Submicron, Chloramine, Cyst, AgION® Antimicrobial Protection



BH-S104
Submicron, Chloramine, Lead, Cyst, AgION® Antimicrobial Protection

See Individual Filters for NSF Certification

We can design custom filter programs to fit your specific needs.

The collage consists of several overlapping brochures. The top-left brochure is titled 'WATER FILTRATION PROGRAMS' and features the 'Holiday House' logo. It lists benefits: 'Generate Increased Revenue', 'Less Service Calls', and 'Additional Profits'. Below this, it shows 'EVERPURE' filters and a 'QUALITY WATER' section. Other brochures in the collage show different filter models like 'ROCK', 'ACR1', '2-ACR1', '3-ACR1', 'CLARIS Smart', 'CLARIS Medium', and 'CLARIS Large'. Some brochures also include diagrams of water cooler systems and technical specifications.